

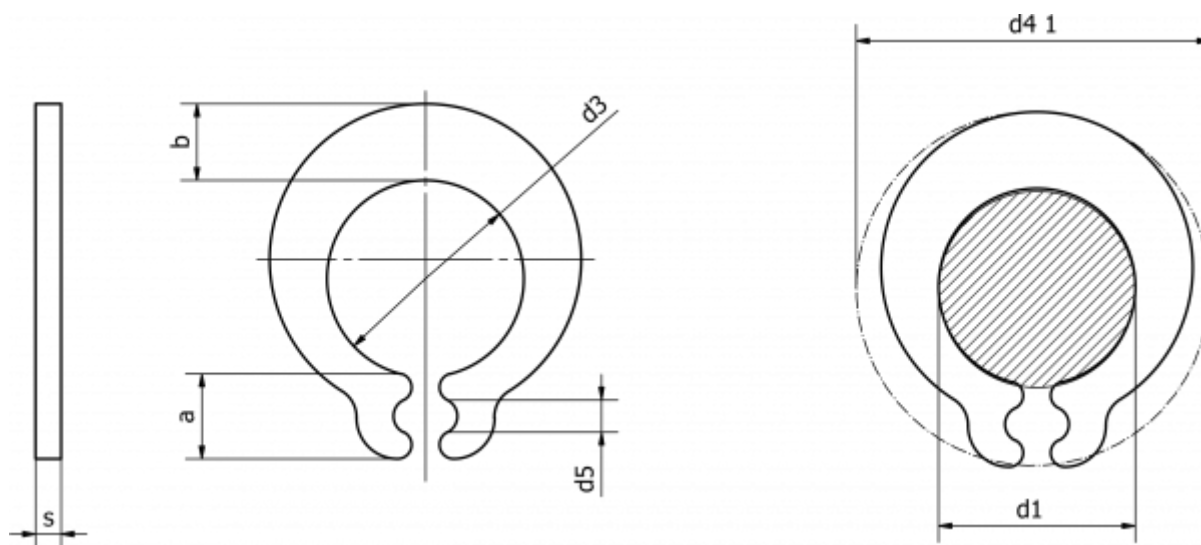
Data Sheet



Article number: 0111034

Description: Retaining ring G 18

Measures



a max	= 6.1	n abl x 1000	= 23
b	= 6.6	s	= 1.75
d1	= 18.0	tol	= 0.110
d3	= 17.30	Tong	= ZGG-3
d4 1	= 34.4	Weight kg/1000	= 4.460
d5 min	= 2.5		
Description	= G 18,0		
Holding force N	= 700		